

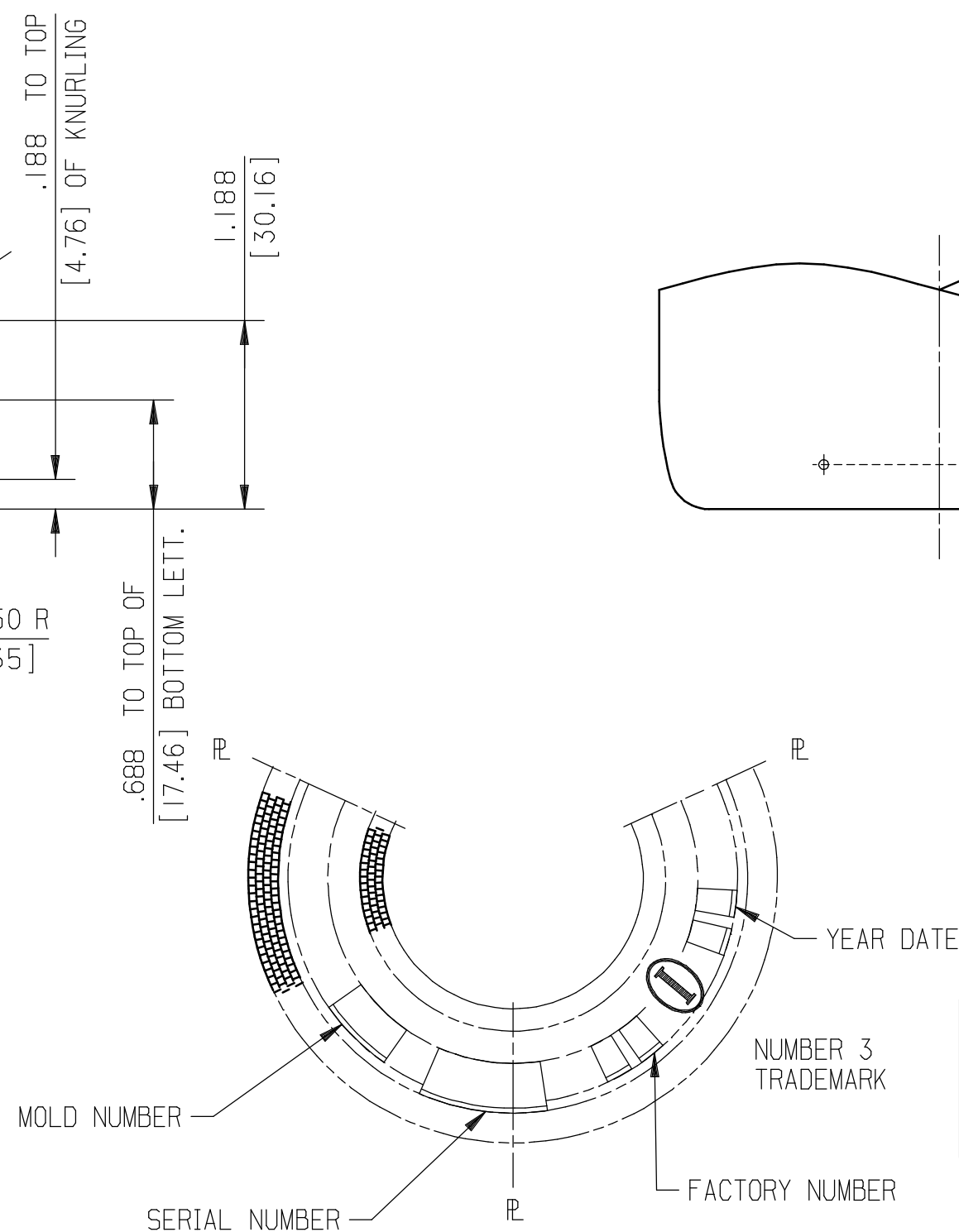
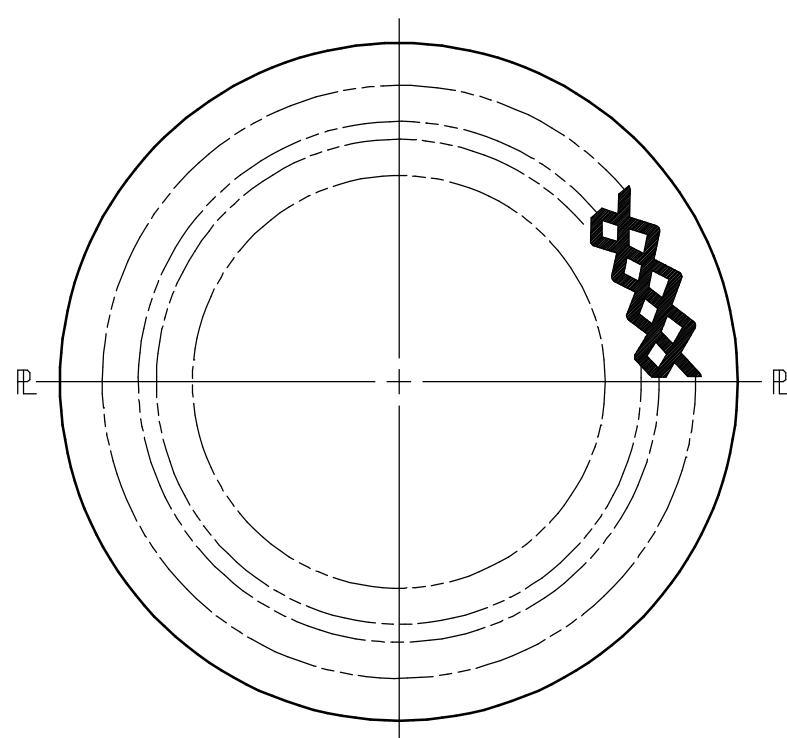
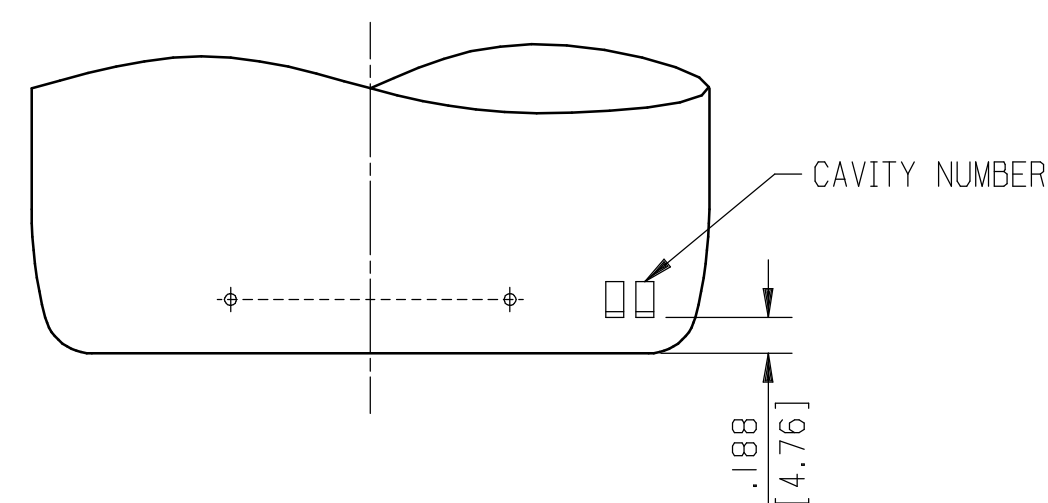
C.I.D. III DOTS AND CAVITY NUMBER TO APPEAR ON HEEL. CAVITY NUMBER TO BE .188 [4.76] TALL.

BOTTOM PLATE LETTERING TO BE .250 [6.35] TALL, EXCEPT SERIAL NUMBER TO BE .313 [7.94] TALL. LETTERING TO APPEAR ON PUSHUP .313 [7.94] UP EXCEPT SERIAL NUMBER TO BE .250 [6.35] UP FROM BOTTOM OF BOTTLE.

OPTIONAL: BOTTOM LETTERING MAY BE FORMED IN THE BAFFLE OR BOTTOM PLATE AT THE PLANT'S DISCRETION.

OPTIONAL: BPK-150 TO APPEAR ON PUSHUP AS SHOWN AND TO APPEAR IN THE SAME PART AS BOTTOM LETTERING.

"X" DESIGNS TO APPEAR ON BEARING SURFACE.



BOTTOM LETTERING DEVELOPMENT

APPROX. STABILITY PROPERTIES	EMPTY	FULL
CENTER OF GRAVITY (IN INCHES)	3.97	4.11
BOTTLE STABILITY RATIO	0.73	0.71
TIP ANGLE (IN DEGREES)	20.1°	19.5°

IT IS THE RESPONSIBILITY OF THE GLASS CONTAINER PURCHASER TO CONSULT WITH ITS CLOSURE AND CONTAINER SUPPLIERS TO DETERMINE THE APPROPRIATE PRESSURE LIMITS FOR THE COMBINATION OF THE CONTAINER, ITS FINISH, AND THE CLOSURE CHOSEN, WHEN THE CONTAINER WILL BE SUBJECTED TO PRESSURE OR USED FOR CONTENTS UNDER PRESSURE.

THIS CONTAINER DESIGNER FOR PRODUCTS UP TO AND INCLUDING 7 GAS VOLUMES.

NOTICE
INFORMATION CONTAINED HEREIN CONSTITUTES PROPRIETARY CONFIDENTIAL INFORMATION OF OWENS-ILLINOIS, INC. AND IS TO BE ACCEPTED ONLY SUBJECT TO THAT UNDERSTANDING. IT IS TO BE KEPT CONFIDENTIAL AND NOT TO BE COPIED, USED OR CONVEYED TO OTHERS WITHOUT OWENS-ILLINOIS WRITTEN AUTHORIZATION.

ALL LETTERING TO BE ROUND BOTTOM STYLE, RAISED IN GLASS, UNLESS OTHERWISE NOTED. CAPACITY VALUES BASED ON WATER AT 68°F [20°C].		ALL NON TOLERANCE SIZES ARE FOR MOLD MANUFACTURE REFERENCE ONLY. METRIC SHOWN IN BRACKETS.		STOCK		OWENS-ILLINOIS Global Glass Technology Container Engineering One Seagate Toledo, Ohio 43666
RATED CAPACITY 25.361 FL. OZ. ± 0.250 FL. OZ. [750.00 ml ± 7.39 ml]		O'FLOW CAPACITY 26.520 FL. OZ. [784.29 ml]		750 ml. CHAMPAGNE		
FILL POINT SEE ABOVE		WEIGHT 32.000 oz. ± 1.250 oz. [907.18 g ± 35.44 g]		DESCR. ROUND		DRAWING NUMBER
-13 REDRAWN; REMOVED 026-3150-R014 FINISH DESIGNATION. D SDK 16 APR 03		REVISIONS		INTL. CAD LIB. DHFM		WD-258-13
				DATE: 16 APR 03 (ORIG. 24 OCT 86) REF. NO. WP-70 WD-255 (I)		MOLD NUMBER
				REDRAWN: SDK CHECKED: _____ APPROVED: 23 APR 03		WP-106